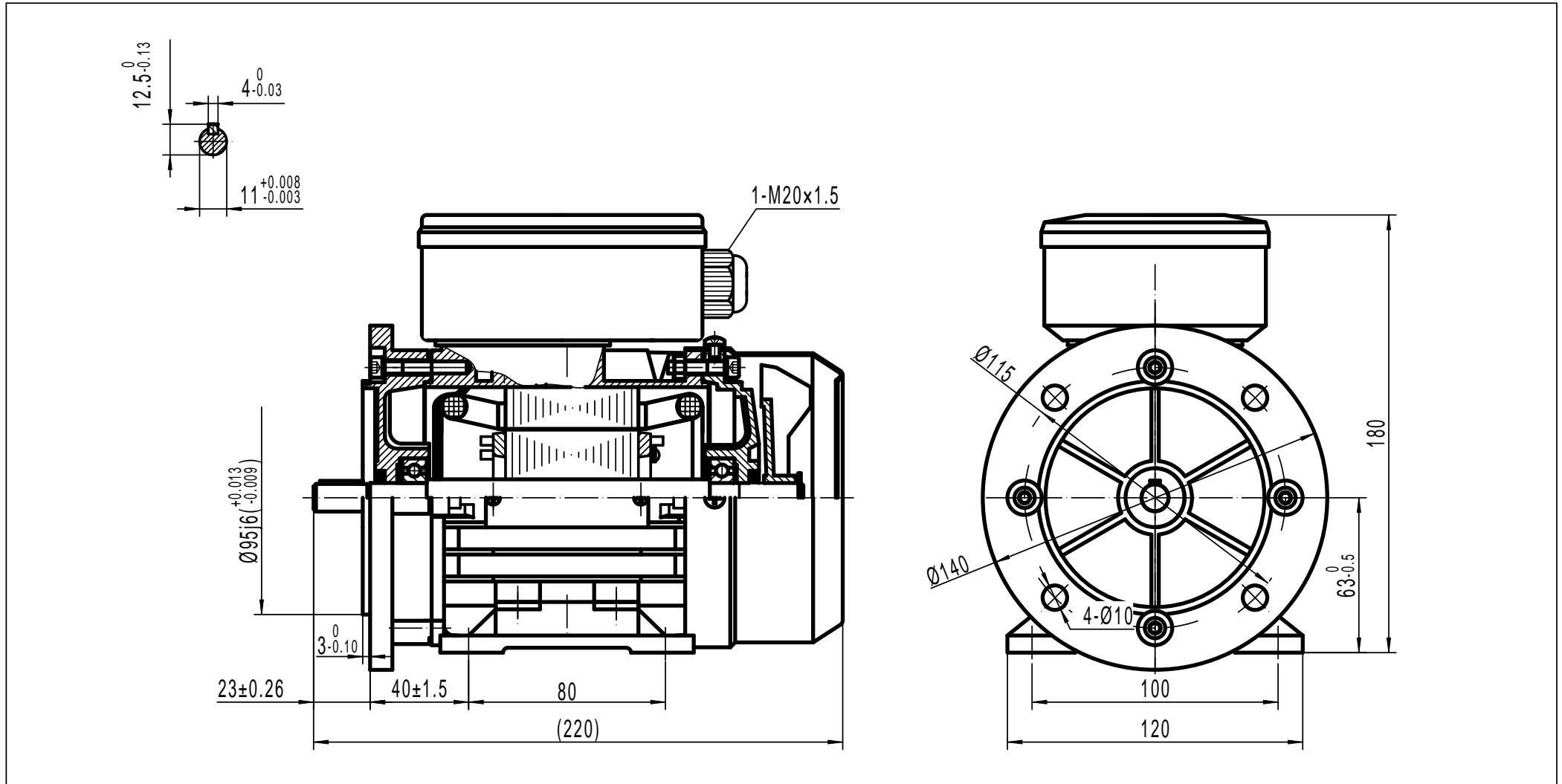


OUTLINE DIMENSIONAL DRAWING



| | |
|---------------------------|-------------|
| TECHTOP AUSTRALIA PTY LTD | |
| FRAME | TMY 63A B35 |
| DATE | DRAWING NO. |
| 2008/05/20 | 1TB.390.010 |